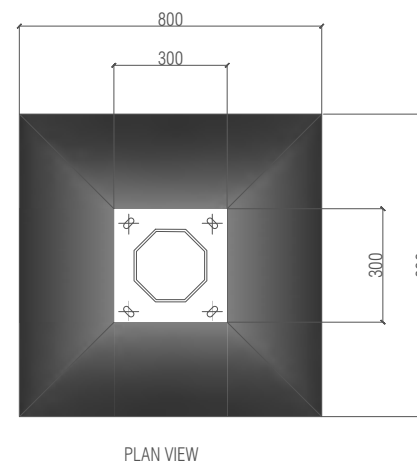
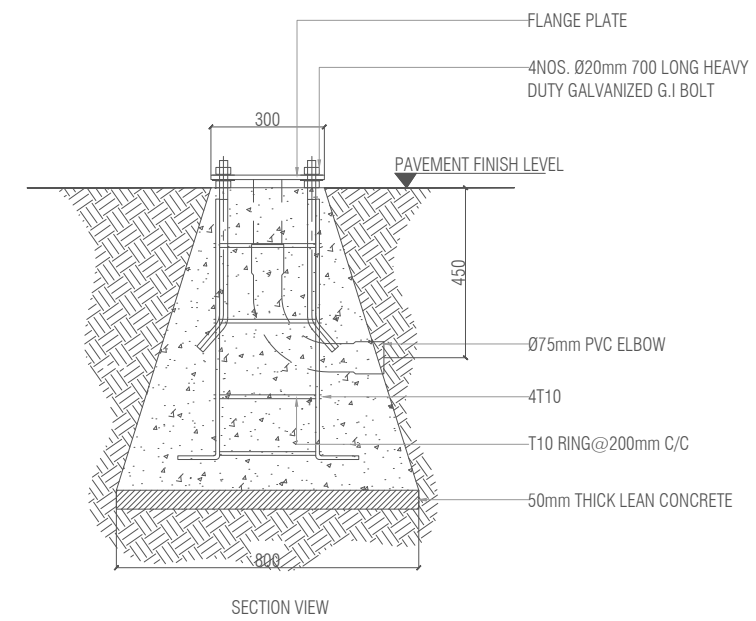




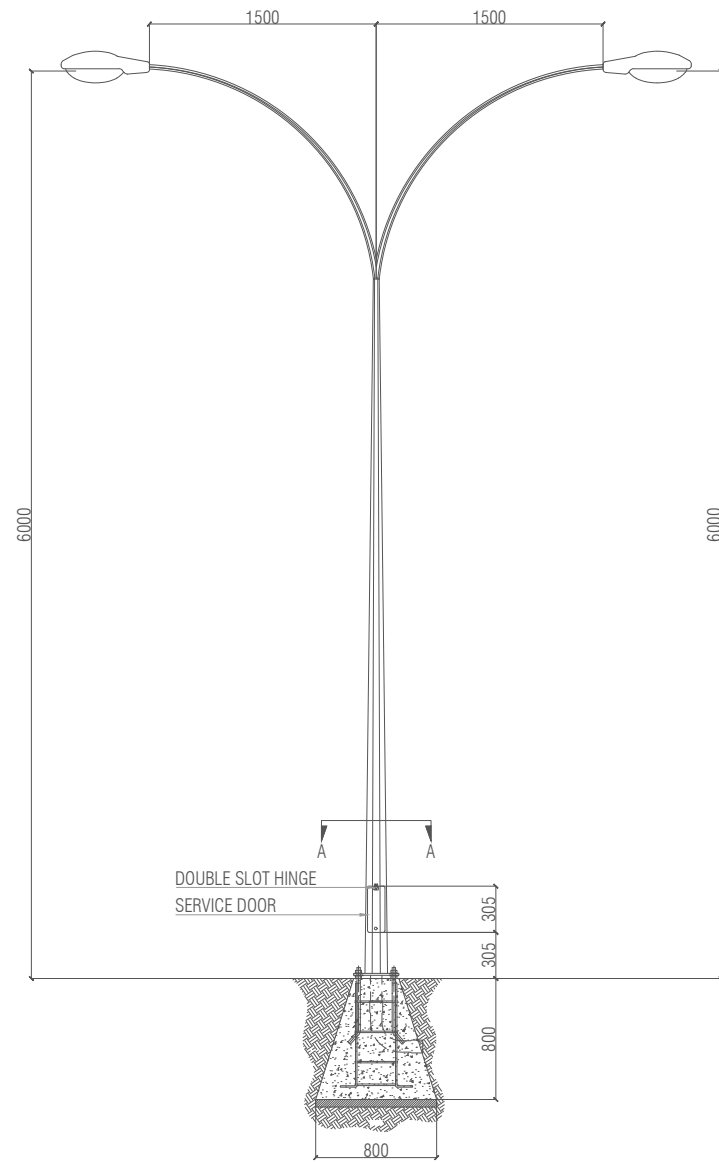
ROAD DEVELOPMENT COOPERATION

ORCHID MAGU MALE'

LEGENDS:



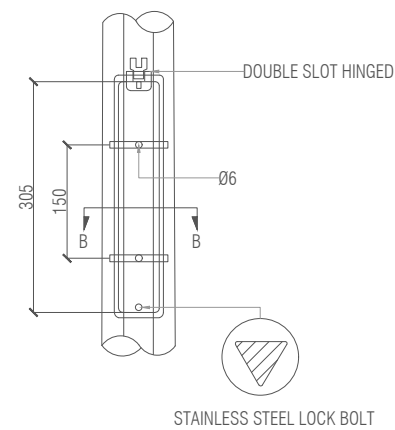
STREET LIGHT FOUNDATION FOOTING DETAIL
SCALE 1:20



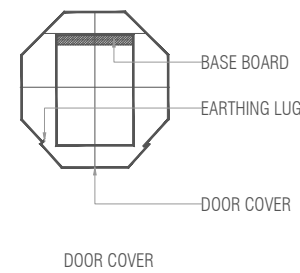
STREET LIGHT (DOUBLE ARM)
SCALE 1:50

PROJECT:
DESIGN & BUILD OF GA.MAAMENDHOO
MAJOR ROADS

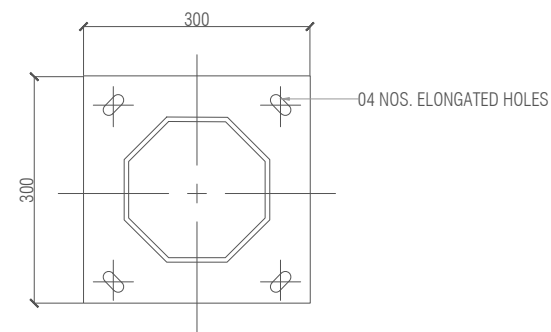
DRAWING TITLE:
STREET LIGHT DETAIL



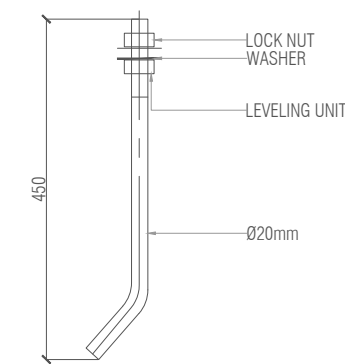
SERVICE DOOR DETAIL
SCALE 1:10



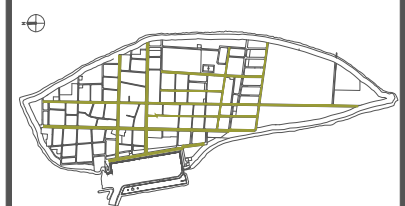
SECTION A-A
SCALE 1:10



PLAN VIEW
SCALE 1:10



J- BOLT DETAIL
SCALE 1:10



ISLAND MAP
NOT TO SCALE

DRAWN BY	MOHAMED RUSHDHAN
APPROVED BY	ALI ZAMEER
DATE:	PAGE NO:
SCALE: AS GIVEN	26

COPYRIGHT: THE CONCEPT & DESIGNS IN THESE DRAWINGS ARE PROPERTIES OF RDC. UNAUTHORIZED USE OF ANY KIND OR COPY OF THESE DRAWINGS ARE STRICTLY PROHIBITED