

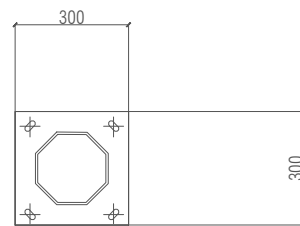


GARDEN LIGHT SPECIFICATIONS

MATERIAL: DIE CAST ALUMINUM, PC SHAPE  
 SIZE: H2200mm, H2600mm, H2900mm  
 EMITTING COLOR: WARM WHITE  
 WATTAGE: 12W  
 COLOR: BLACK/COPPER/RED COPPER  
 SPECIAL POINT: WATERPROOF  
 LIGHT SOURCE: E27 SCREW LAMP  
 APPLICABLE POWER: 1-40W

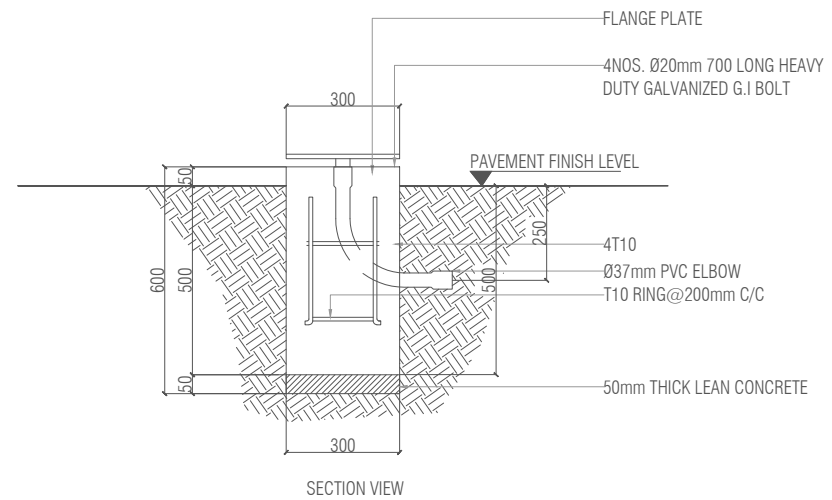
1602  
 H2300-2  
 H2600-2  
 H2900-2

GARDEN LIGHT  
 SCALE 1:50

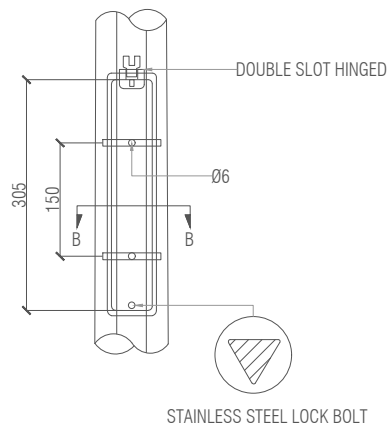


PLAN VIEW

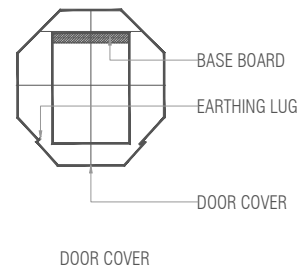
STREET LIGHT FOUNDATION FOOTING DETAIL  
 SCALE 1:20



SECTION VIEW

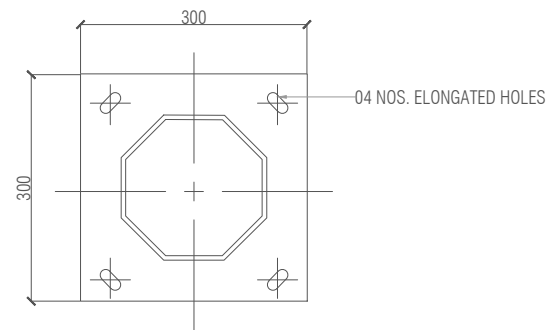


SERVICE DOOR DETAIL  
 SCALE 1:10

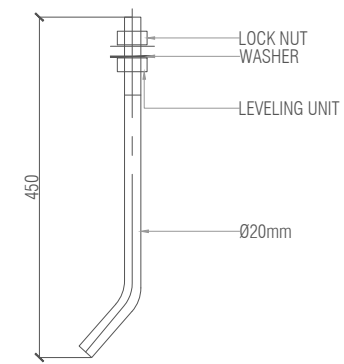


DOOR COVER

SECTION A-A  
 SCALE 1:10



PLAN VIEW  
 SCALE 1:10



J- BOLT DETAIL  
 SCALE 1:10



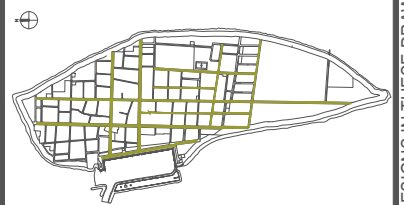
ROAD DEVELOPMENT  
 COOPERATION

ORCHID MAGU  
 MALE

LEGENDS:

PROJECT:  
 DESIGN & BUILD OF GA.MAAMENDHOO  
 MAJOR ROADS

DRAWING TITLE:  
 STREET LIGHT DETAIL



ISLAND MAP  
 NOT TO SCALE

DRAWN BY	MOHAMED RUSHDHAN
APPROVED BY	ALI ZAMEER
DATE:	PAGE NO:
SCALE: AS GIVEN	25

COPYRIGHT: THE CONCEPT & DESIGNS IN THESE DRAWINGS ARE PROPERTIES OF RDC. UNAUTHORIZED USE OF ANY KIND OR COPY OF THESE DRAWINGS ARE STRICTLY PROHIBITED