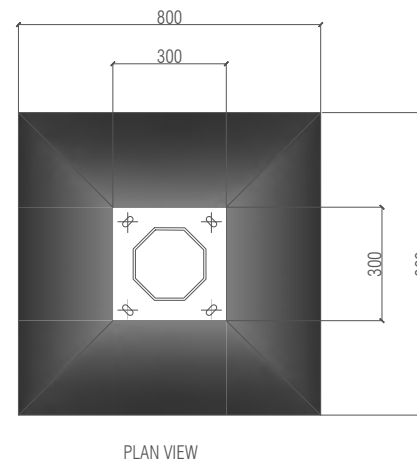
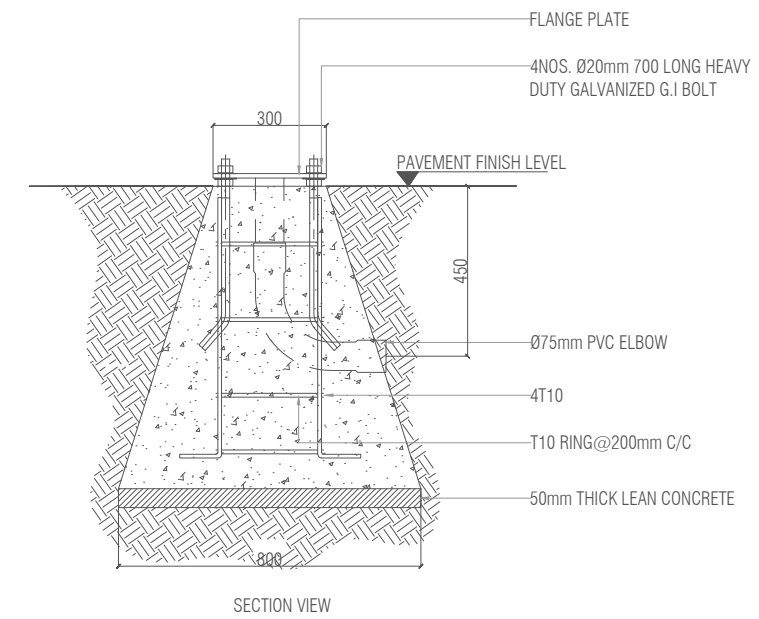




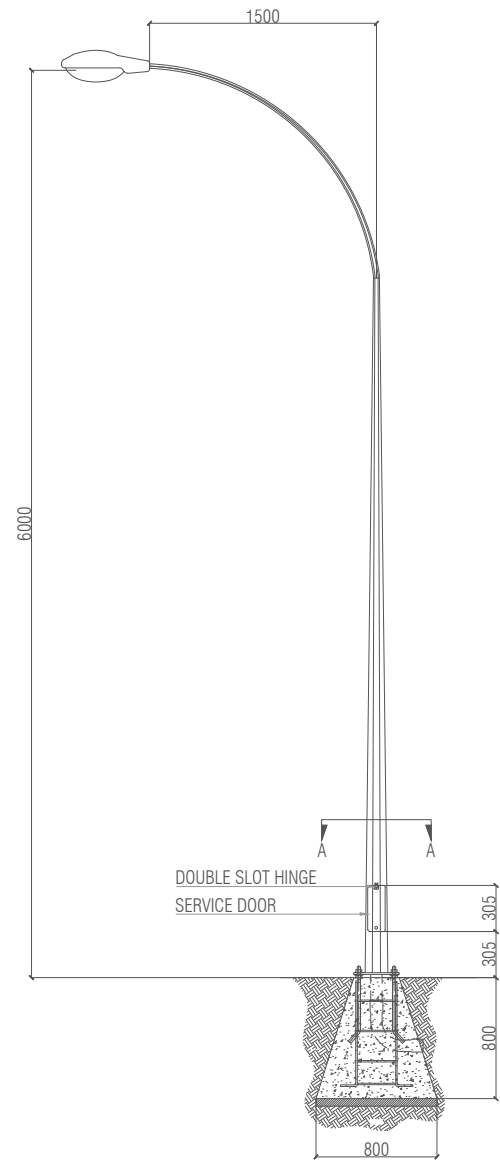
**RDC**  
ROAD DEVELOPMENT COOPERATION

ORCHID MAGU MALE'

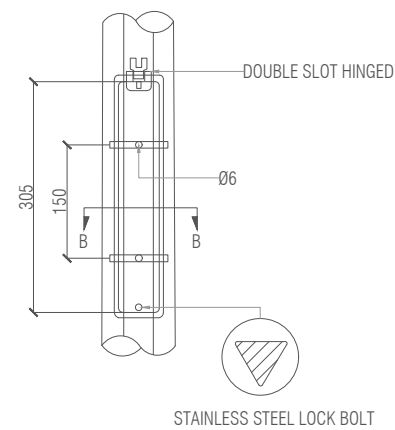
LEGENDS:



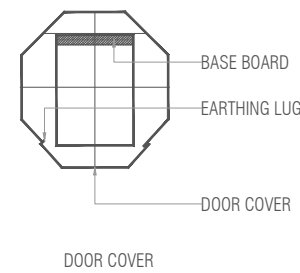
STREET LIGHT FOUNDATION FOOTING DETAIL  
SCALE 1:20



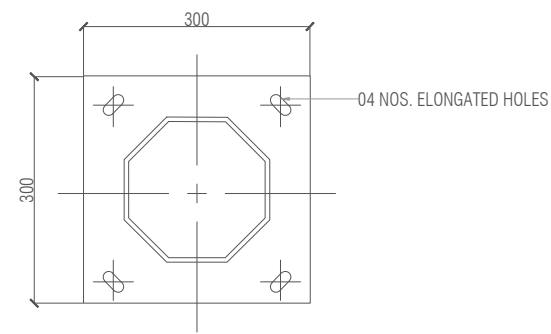
STREET LIGHT (SINGLE ARM)  
SCALE 1:50



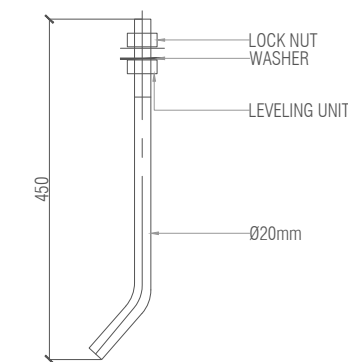
SERVICE DOOR DETAIL  
SCALE 1:10



SECTION A-A  
SCALE 1:10



PLAN VIEW  
SCALE 1:10



J- BOLT DETAIL  
SCALE 1:10



ISLAND MAP  
NOT TO SCALE

PROJECT:  
DESIGN & BUILD OF GA.MAAMENDHOO  
MAJOR ROADS

DRAWING TITLE:  
STREET LIGHT DETAIL

DRAWN BY	MOHAMED RUSHDHAN
APPROVED BY	ALI ZAMEER
DATE:	PAGE NO:
SCALE: AS GIVEN	24

COPYRIGHT: THE CONCEPT & DESIGNS IN THESE DRAWINGS ARE PROPERTIES OF RDC. UNAUTHORIZED USE OF ANY KIND OR COPY OF THESE DRAWINGS ARE STRICTLY PROHIBITED