



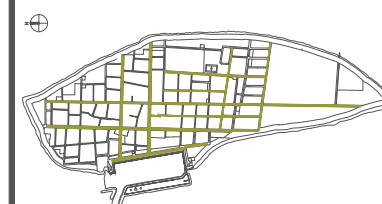
ROAD DEVELOPMENT COOPERATION

ORCHID MAGU MALE'

LEGENDS:

PROJECT:  
DESIGN & BUILD OF GA.MAAMENDHOO MAJOR ROADS

DRAWING TITLE:  
CARRIAGE WAY, SIDE WALK, TREEPIT DETAILS



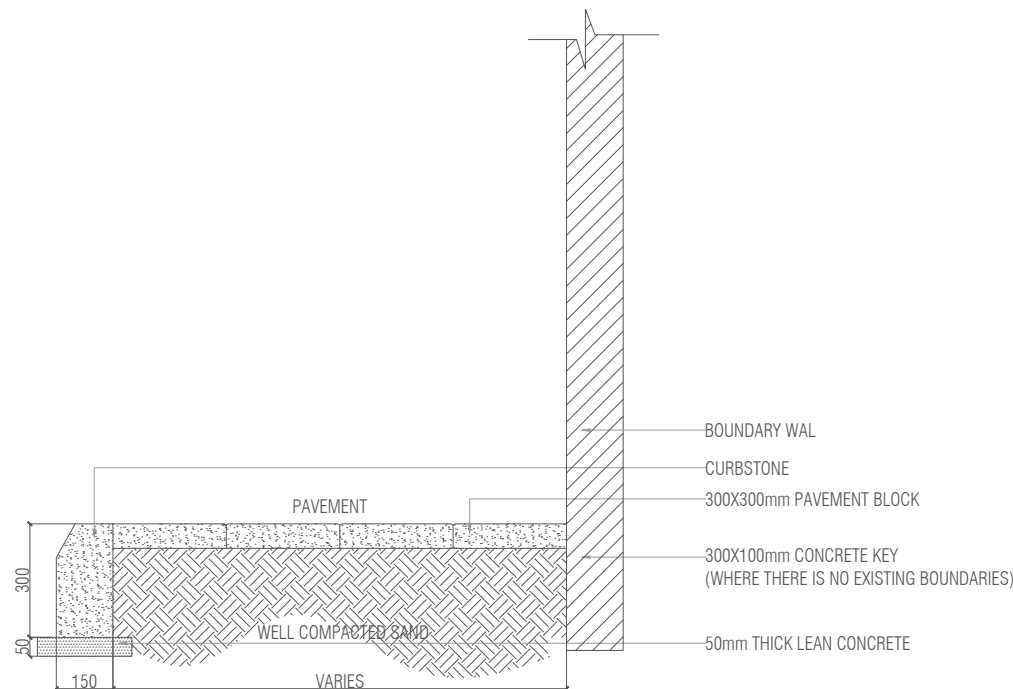
ISLAND MAP NOT TO SCALE

DRAWN BY MOHAMED RUSHDHAN

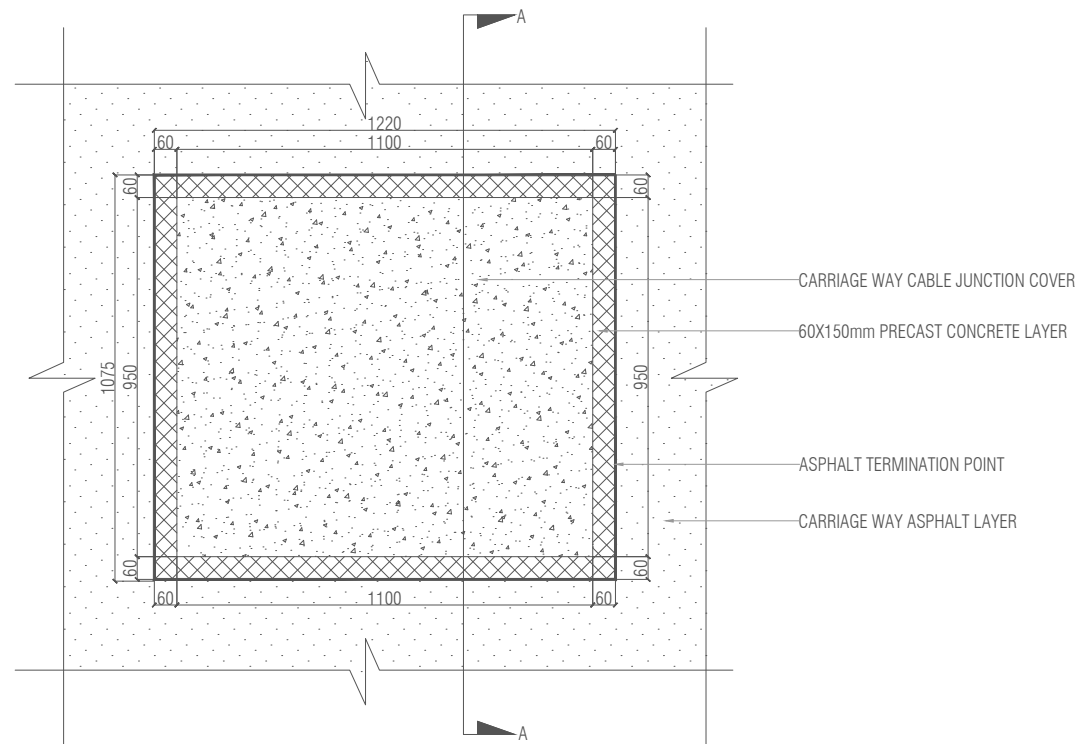
APPROVED BY ALI ZAMEER

DATE: PAGE NO:

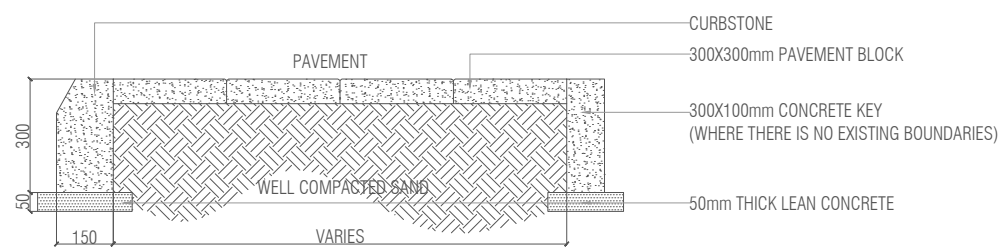
SCALE: AS GIVEN 20



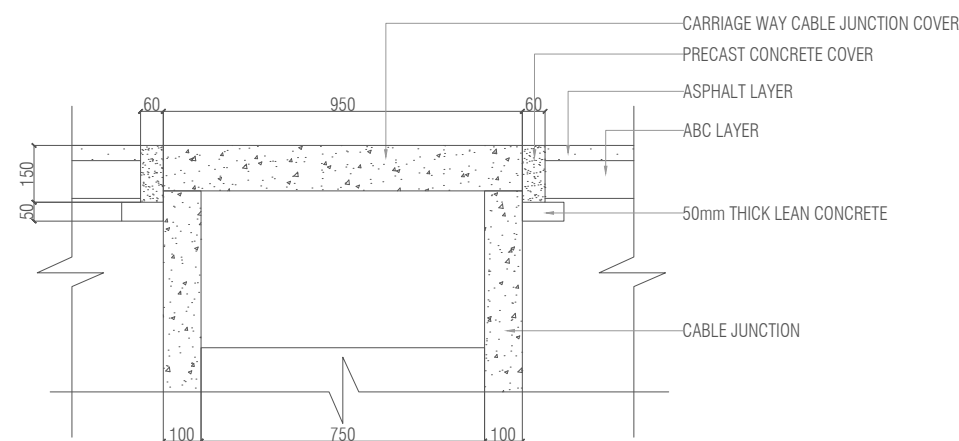
CABLE JUNCTION DETAIL-02  
SCALE 1:20



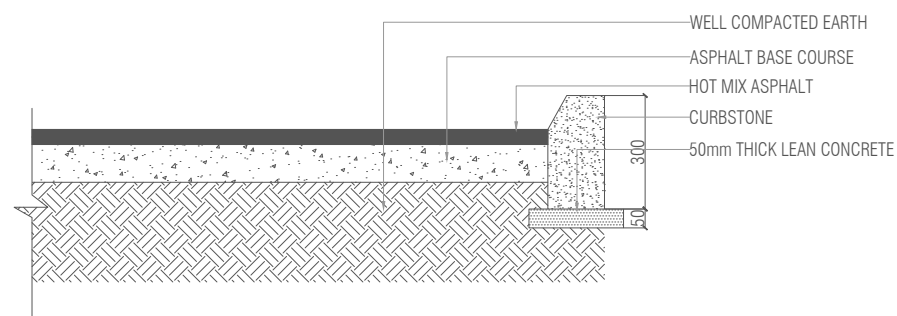
CABLE JUNCTION - ASPHALT TERMINATION DETAIL PLAN  
SCALE 1:20



PAVEMENT DETAIL - 01  
SCALE 1:20



CABLE JUNCTION - ASPHALT TERMINATION DETAIL SECTION A-A  
SCALE 1:20



CABLE JUNCTION DETAIL-02  
SCALE 1:20

COPYRIGHT: THE CONCEPT & DESIGNS IN THESE DRAWINGS ARE PROPERTIES OF RDC. UNAUTHORIZED USE OF ANY KIND OR COPY OF THESE DRAWINGS ARE STRICTLY PROHIBITED