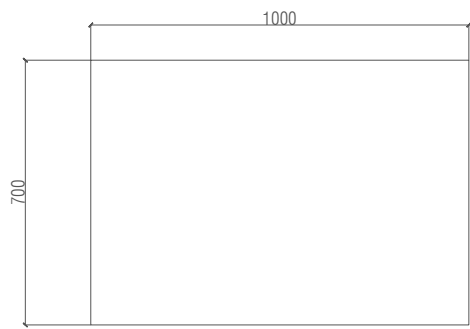
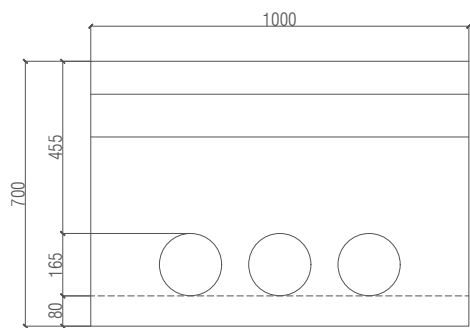
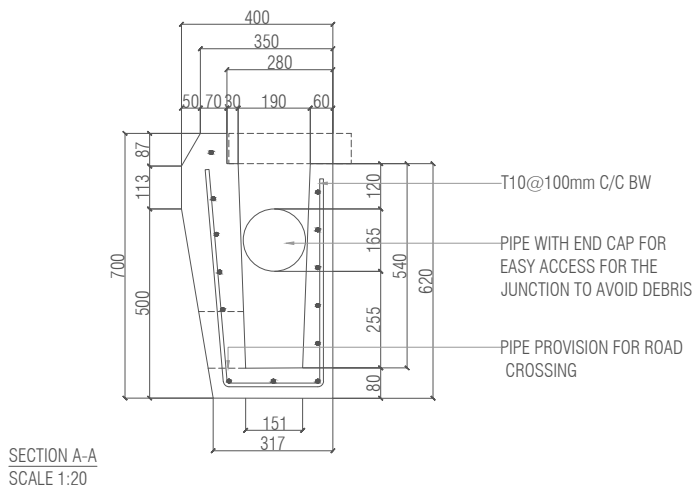
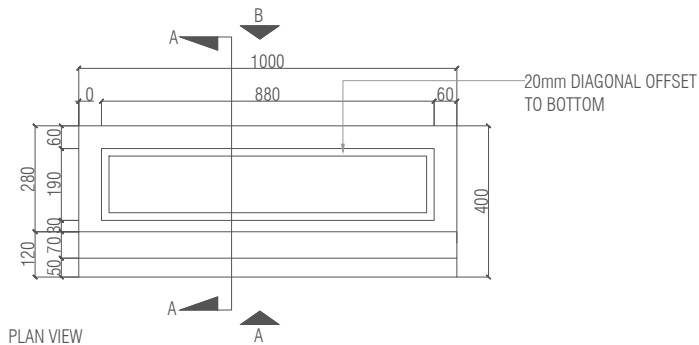
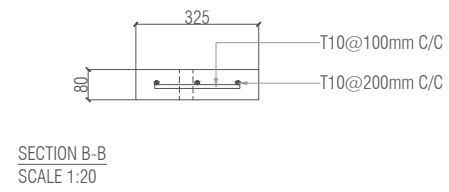
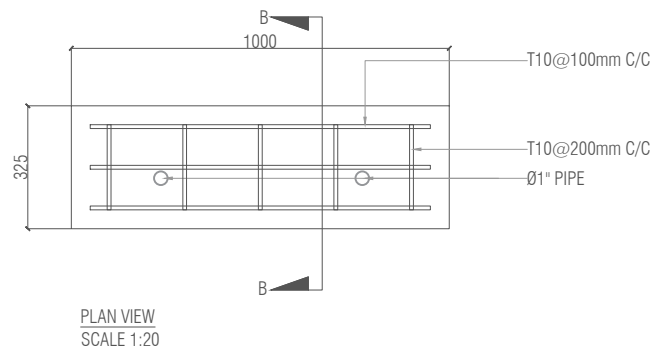


**CABLE JUNCTION TYPE - C**  
DESIGNED TO BE PLACED IN SIDE WALK



**CABLE JUNCTION TYPE - C**  
COVER DETAILS



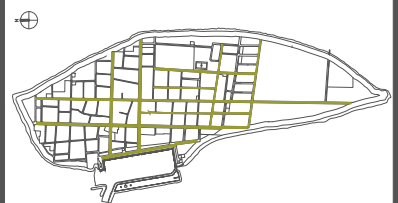
**ROAD DEVELOPMENT COOPERATION**

ORCHID MAGU MALE'

**LEGENDS:**

**PROJECT:**  
DESIGN & BUILD OF GA.MAAMENDHOO MAJOR ROADS

**DRAWING TITLE:**  
CABLE JUNCTION DETAILS



DRAWN BY	MOHAMED RUSHDHAN
APPROVED BY	ALI ZAMEER
DATE:	PAGE NO:
SCALE: AS GIVEN	18