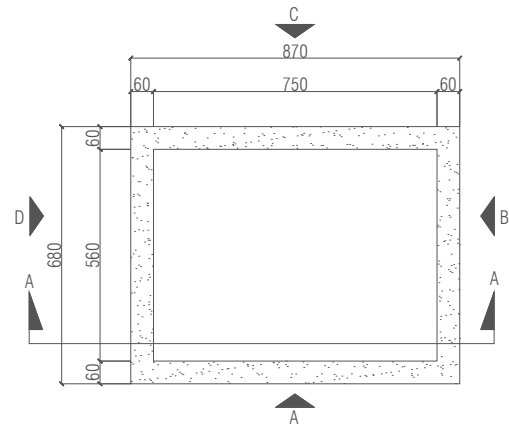
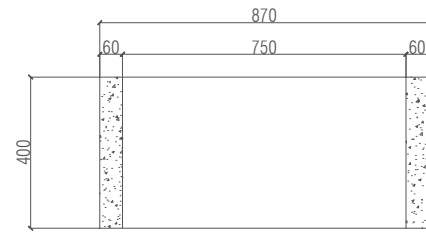


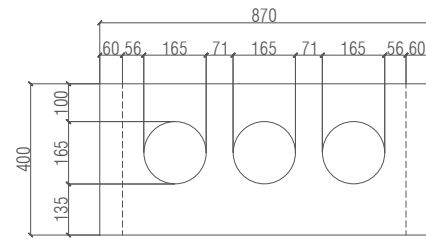
CABLE JUNCTION TYPE - D  
DESIGNED TO BE PLACED IN SIDE WALK



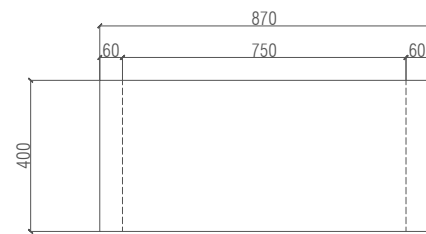
PLAN VIEW  
SCALE 1:20



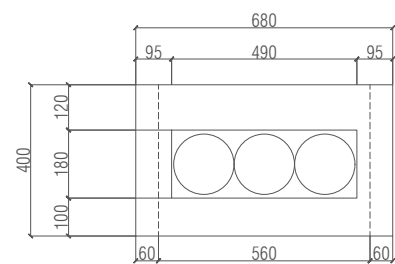
SECTION A-A  
SCALE 1:20



ELEVATION - A (BOUNDARY WALL SIDE)  
SCALE 1:20

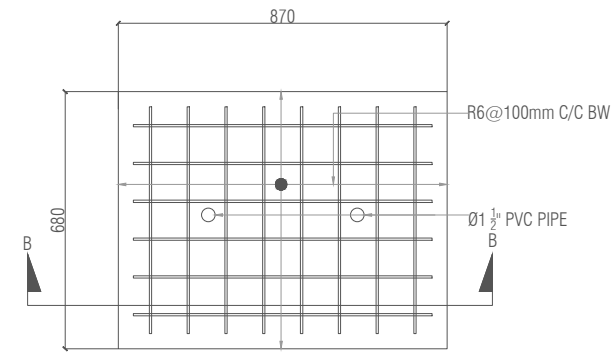


ELEVATION - C (ROAD CROSSING SIDE)  
SCALE 1:20

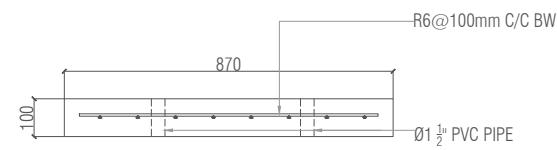


ELEVATION - D & B (SIDE WALK SIDE)  
SCALE 1:20

CABLE JUNCTION TYPE - D  
COVER DETAILS

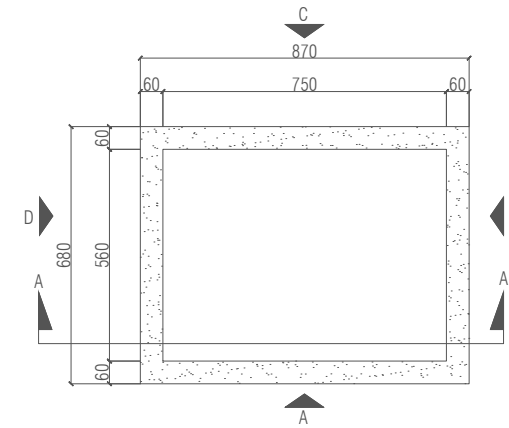


PLAN VIEW  
SCALE 1:20

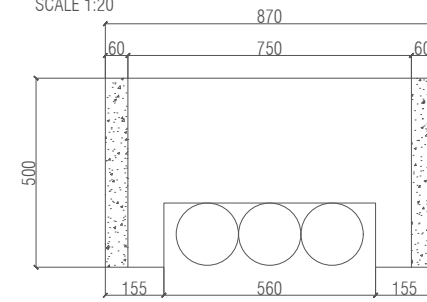


SECTION B-B  
SCALE 1:20

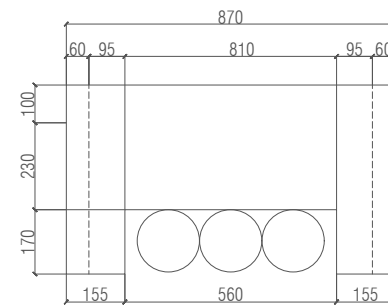
CABLE JUNCTION TYPE - D1  
DESIGNED TO BE PLACED IN SIDE WALK (ROAD CROSSING JUNCTION)



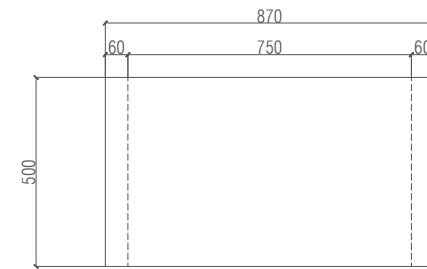
PLAN VIEW  
SCALE 1:20



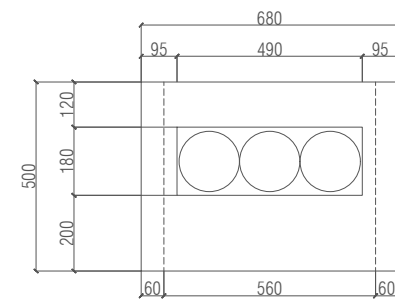
SECTION A-A  
SCALE 1:20



ELEVATION - A (BOUNDARY WALL SIDE)  
SCALE 1:20

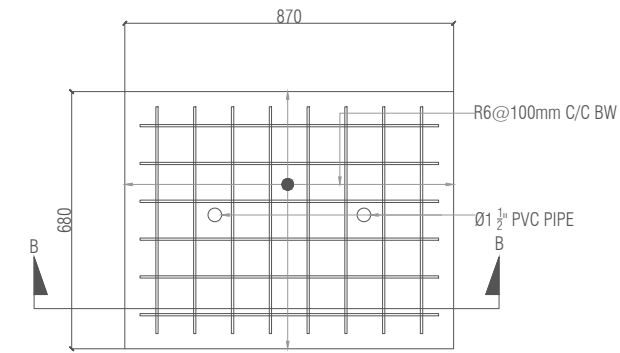


ELEVATION - C (ROAD CROSSING SIDE)  
SCALE 1:20

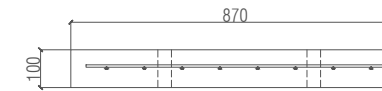


ELEVATION - D & B (SIDE WALK SIDE)  
SCALE 1:20

CABLE JUNCTION TYPE - D1  
COVER DETAILS



PLAN VIEW  
SCALE 1:20



SECTION B-B  
SCALE 1:20



ROAD DEVELOPMENT  
COOPERATION

ORCHID MAGU  
MALE'

LEGENDS:

PROJECT:  
DESIGN & BUILD OF GA.MAAMENDHOO  
MAJOR ROADS

DRAWING TITLE:  
CABLE JUNCTION DETAILS



ISLAND MAP  
NOT TO SCALE

DRAWN BY	MOHAMED RUSHDHAN
APPROVED BY	ALI ZAMEER
DATE:	PAGE NO:
SCALE: AS GIVEN	17

COPYRIGHT: THE CONCEPT & DESIGNS IN THESE DRAWINGS ARE PROPERTIES OF RDC. UNAUTHORIZED USE OF ANY KIND OR COPY OF THESE DRAWINGS ARE STRICTLY PROHIBITED