



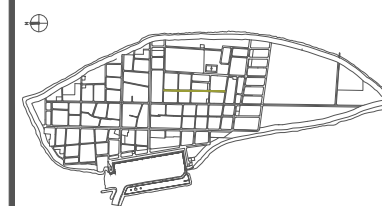
ROAD DEVELOPMENT COOPERATION

ORCHID MAGU MALE'

LEGENDS:

PROJECT:  
DESIGN & BUILD OF GA.MAAMENDHOO MAJOR ROADS

DRAWING TITLE:  
CONCEPT



ISLAND MAP  
NOT TO SCALE

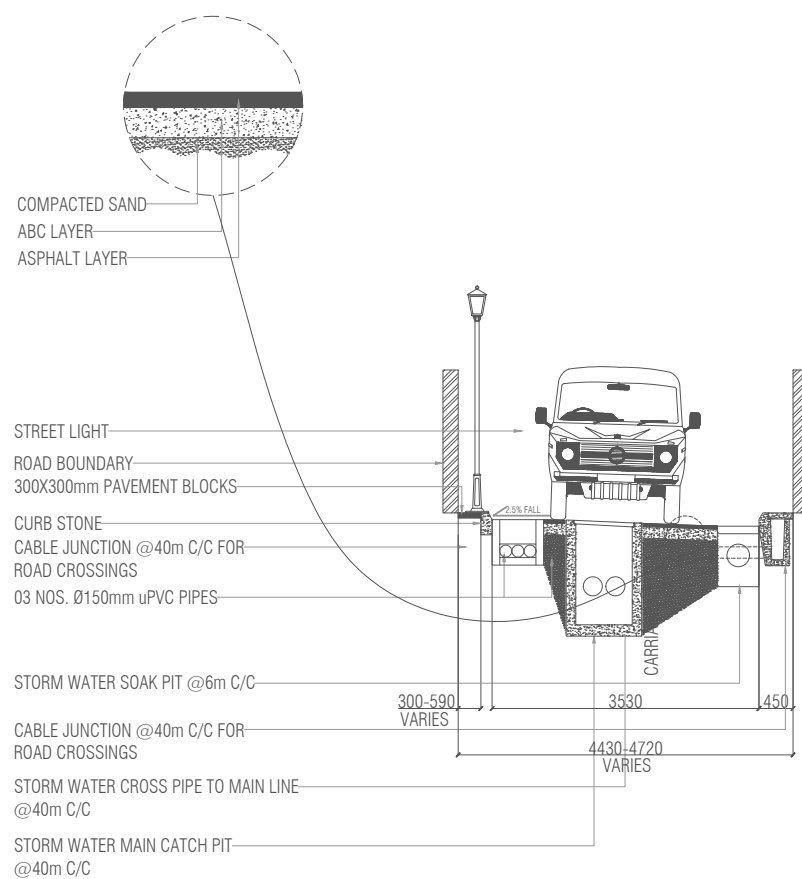
DRAWN BY MOHAMED RUSHDHAN

APPROVED BY ALI ZAMEER

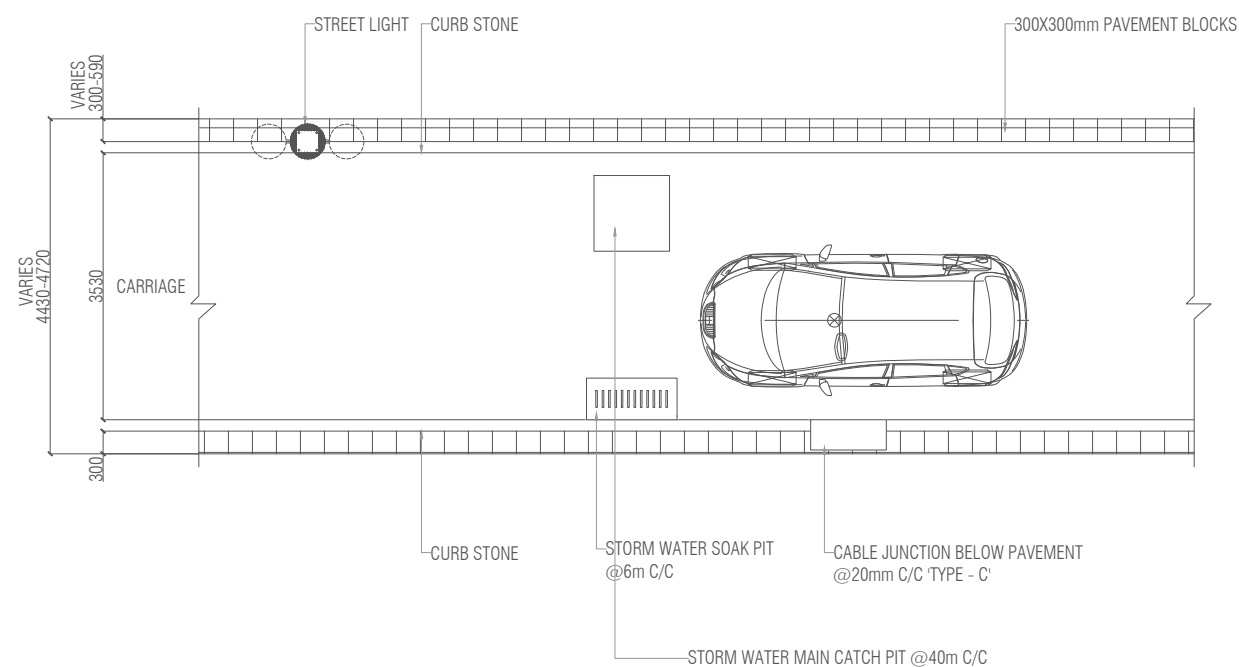
DATE: PAGE NO:

SCALE: AS GIVEN 16

ROAD NAME	TYPE	L.S		CARRIAGE WAY			R.S		LENGTH (m)	AREA	
		FOOT PATH (mm)	GREEN ZONE (mm)	LANE 1 (mm)	LANE 2 (mm)	FOOT PATH (mm)	GREEN ZONE (mm)	FOOT PATH (m²)		CARRIAGE WAY (m²)	
OLHAADAA HIN'GUN	SINGLE	300-590	-	3530	(3530)	-	300	-	247	APPROX. 219.83	APPROX. 871.91



OLHAADHAA HIN'GUN - SECTION  
1:100



OLHAADHAA HIN'GUN - PLAN  
1:100

COPYRIGHT: THE CONCEPT & DESIGNS IN THESE DRAWINGS ARE PROPERTIES OF RDC. UNAUTHORIZED USE OF ANY KIND OR COPY OF THESE DRAWINGS ARE STRICTLY PROHIBITED